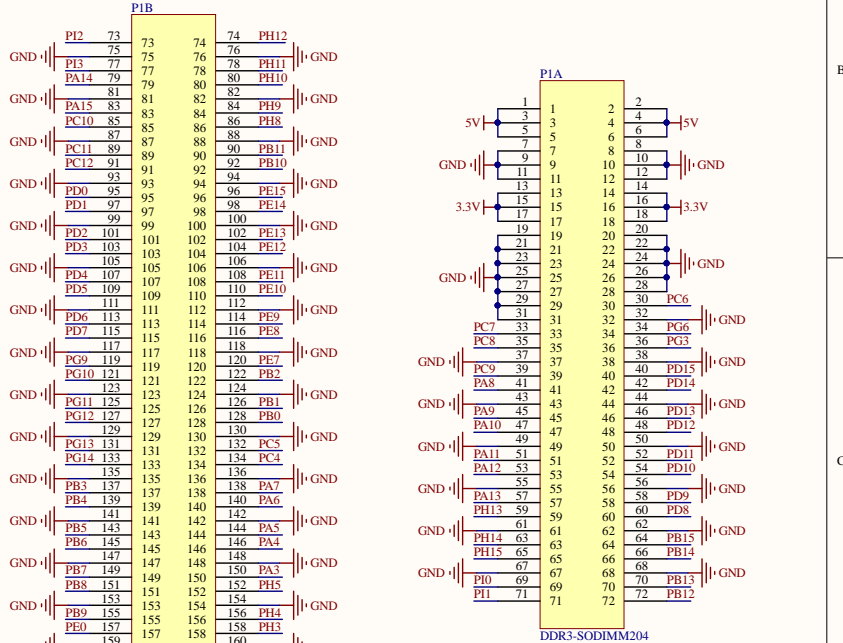
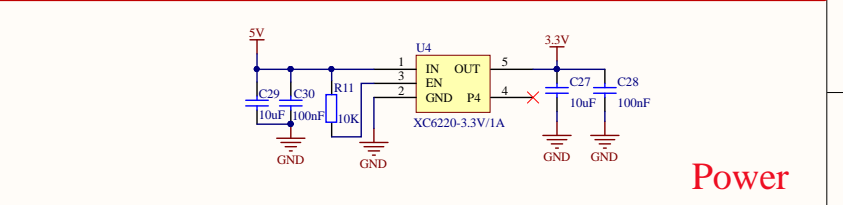
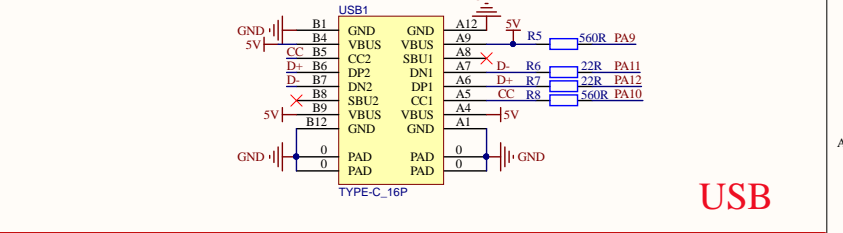
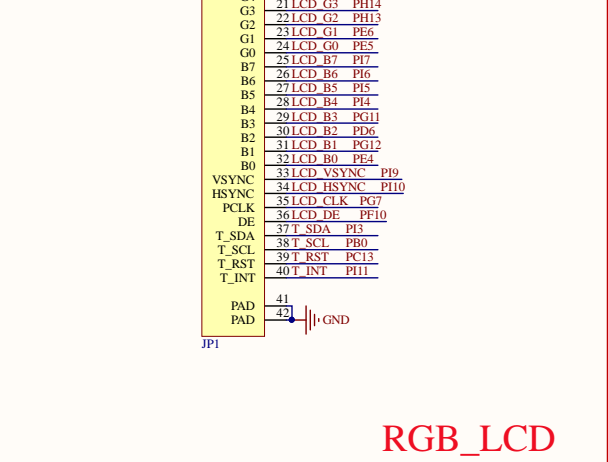
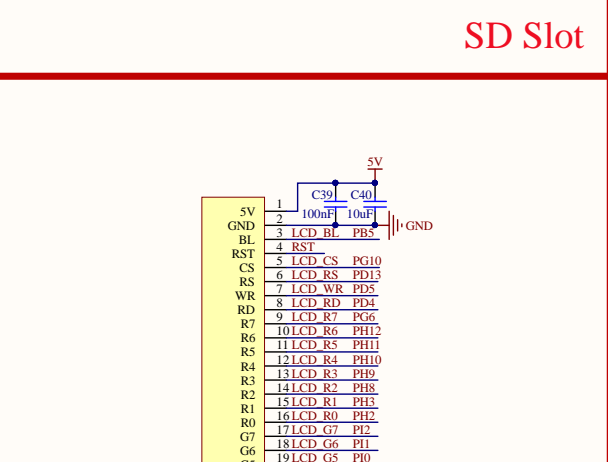
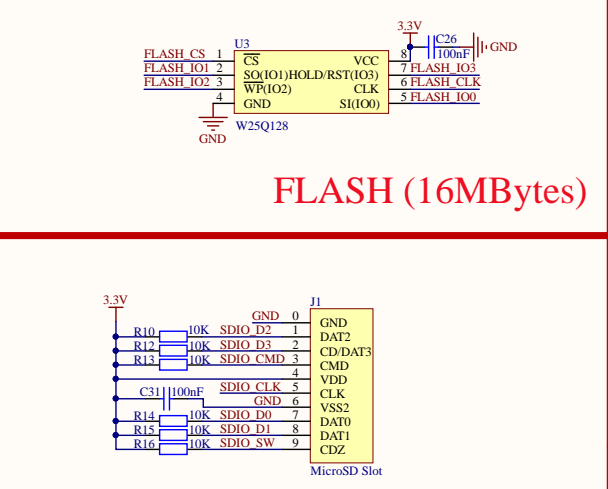
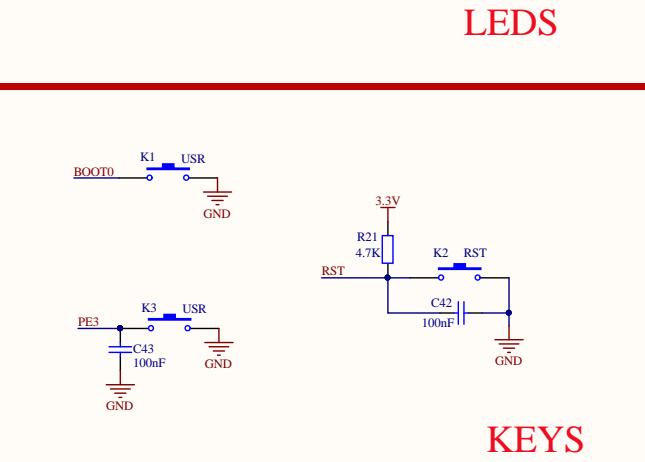
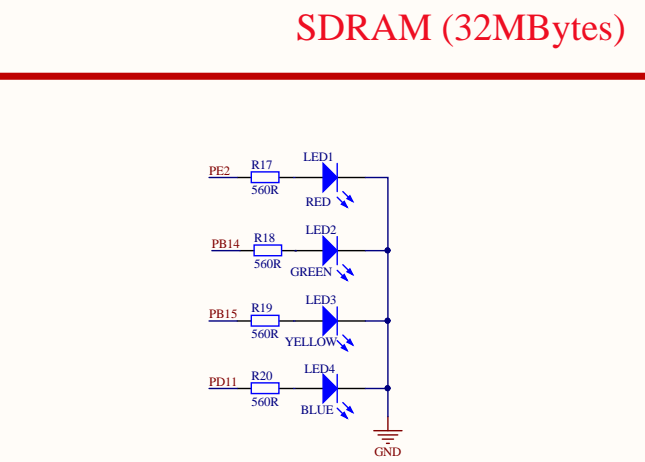
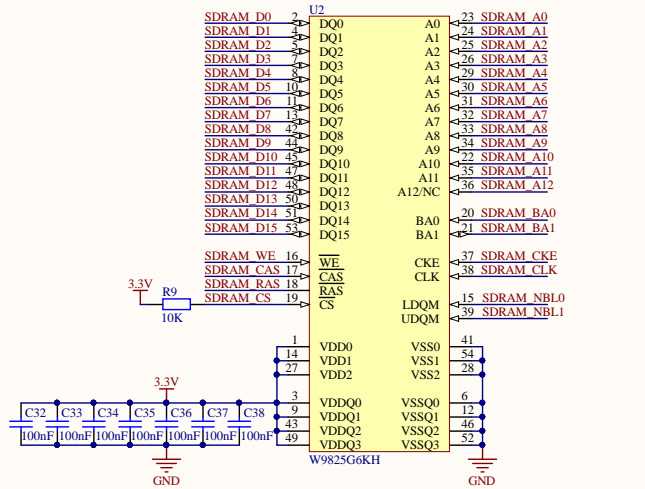


PA0	40	U1	PA0/WKUP0/TIM2_TIM5_CH1/TIM2_TIM8_ETR/TIM15_BKIN/U2_CTS/U4_TX/SDMMC2_CMD/SAI2_SD_B/ETH_MII_CRS/ADC123_INP16
PA1	41		PA1/TIM2_TIM5_CH2/LPTIM3_OUT/TIM15_CHIN/U2_RTS/U4_RX/QSPI_BK1_I03/SAI2_MCK_B/ETH_MII_RMII_REF_CLK/LCD_R2_ADC1_INN16_INP17
TX2	PA2	42	PA2/TIM2_TIM5_CH3/LPTIM4_OUT/TIM15_CHI/U2_TX/SAI2_SCK_B/ETH_MDIO/MDIOS_MDIO/LCD_R1/ADC12_INP14/WKUP1
RX2	PA3	47	PA3/TIM2_TIM5_CH4/LPTIM5_OUT/TIM15_CH2/U2_RX/OTG_HS_ULPI_D0/ETH_MII_COL/LCD_B2_B5/ADC12_INP15
PA4	50		PA4/TIM5_ETR/SPI1_SPI3_NSS/I2S1_I2S3_WS/U2_CK/SPI6_NSS/OTG_HS_SOF/DCML_HSYNCLCD_VSYNCC/ADC12_INP18/DACL_OUT1
PA5	51		PA5/TIM2_CH1_ETR/TIM8_CHIN/SPI1_SCK/I2S1_CK/SPI6_SCK/OTG_HS_ULPI_CLK/D4_R4/ADC12_INN18_INP19/DACL_OUT2
PA6	52		PA6/TIM1_TIM8_BKIN/TIM3_TIM13_CH1/SPI1_SPI6_MISO/I2S1_SDI/TIM1_TIM8_BKIN_COMP12/ANOS_MDC/DCML_PXCLK/LCD_G2/ADC12_INP3
PA7	53		PA7/TIM1_TIM8_CHIN/TIM3_CH2/SPI1_SPI6_MOSI/I2S1_SDI/TIM14_CH1/ETH_MII_RX_DV/ETH_RMII_CRS_DV/FMC_SDNWE/ADC12_INN3_INP7/OPAMP1_VINM
PA8	I19		PA8/MCO1/TIM1_CH1/HRTIM_CHB2/TIM8_BKIN/I2C3_SCL/U1_CK/OTG_HS_SOF/U7_RX/TIM8_BKIN2_CIMP12/LCD_R6
PA9	I20		PA9/TIM1_CH2/HRTIM_CHC1/I2C3_SMB/SAI2_SCK/I2S2_CK/U1_TX/FDCAN1_RXFD_MODE/ETH_MII_D0/LCD_R5/OTG_HS_VBUS
PA10	I21		PA10/TIM1_CH3/HRTIM_CHC2/U1_RX/FDCAN1_TXFD_MODE/OTG_HS_ID/MDIOS_MDIO/LCD_B4_B1/DCML_D1
PA11	I22		PA11/TIM1_CH4/HRTIM_CHD1/SPI2_NSS/I2S2_WS/U4_RX/U1_CTS/FDCAN1_RX/LCD_R4/OTG_HS_DM
PA12	I23		PA12/TIM1_ETR/HRTIM_CHD2/SPI2_SCK/I2S2_CK/U4_TX/U1_RTS/SAI2_FS_B/FDCAN1_TX/LCD_R5/OTG_HS_DP
PA13	I24		PA13/TIM3_SWID0
PA14	I25		PA14/ITCK_SWCLK
PA15	I26		PA15/JTD1/TIM2_CH1_ETR/HRTIM_FLT1/HDMI_CEC/SPI1_SPI3_SPI6_NSS/I2S1_I2S3_WS/U4_U2_RTS/U7_TX
PB0	TIM1	56	PB0/TIM1_TIM8_CH2N/TIM3_CH3/DFSDM_CKOUT/U4_CTS/LCD_R3_G1/OTG_HS_ULPI_D1/ETH_MII_RX/D2/ADC12_INN5_INP9/OPAMP1_VINP/COMP_1_INP
PB1	TIM1	57	PB1/TIM1_TIM8_CH3N/TIM3_CH4/DFSDM_D1/LCD_R6_G0/OTG_HS_ULPI_D2/ETH_MII_RX/D3/ADC12_INN5_INP9/COMP_1_INM
PB2	SAI1	58	PB2/SAI1_SAI4_D1/DFSDM_CKIN1/SAI1_SAI4_SD_A/SPI3_MOSI/I2S2_SD/QSPI_CLK/ETH_MII_TX_ER/COMP_1_INP/RTC_OUT
PB3	I61		PB3/JTDO/TIM2_CH2/HRTIM_FLT4/SPI1_SPI3_SPI6_SCK/I2S1_I2S3_CK/SDMMC2_D2/U7_RX
PB4	I62		PB4/NTRST/TIM16_BKIN/TIM3_CH1/HRTIM_EEV6/SPI1_SPI3_SPI6_MISO/I2S1_I2S3_SDI/SPI2_NSS/I2S2_WS/SDMMC2_D3/U7_TX
PB5	I63		PB5/TIM17_BKIN/TIM3_CH2/HRTIM_EEV7/I2C1_I2C4_SMB/SAI1_SPI3_SPI6_MOSI/I2S1_I2S3_SD/FDCAN2_RX/OTG_HS_ULPI_D1/ETH_PPS_OUT/FMC_SDCKE1/DCML_D10/U5_RX
PB6	I64		PB6/TIM16_CHIN/TIM4_CH1/HRTIM_EEV8/HRTIM_CEC/I2C1_I2C4_SDA/U1_RX/FDCAN2_TX/QSPI_BK1_NCS/DFSDM_D5/FMC_SDNWE/DCML_D7/LCD_B7
PB7	I65		PB7/TIM17_CHIN/TIM4_CH2/HRTIM_EEV9/I2C1_I2C4_SDA/U1_RX/FDCAN2_TXFD_MODE/DFSDM_CKIN5_FMC_NL/DCML_VSYNCPVD_IN
PB8	I66		PB8/TIM16_CH1/TIM4_CH3/DFSDM_CKIN7/I2C1_I2C4_SCL/SDMMC1_CKIN/U4_RX/FDCAN1_RX/ETH_MII_TX/D3/SDMMC12_D4/DCML_D6/LCD_B6
PB9	I67		PB9/TIM17_CH1/TIM4_CH4/DFSDM_D7/I2C1_I2C4_SDA/SPI2_NSS/I2S2_WS/DFSDM_C1/DIR/U4_TX/FDCAN1_TX/SDMMC12_D5/I2C4_SMB/ADC12/D7/LCD_B7
PB10	I68		PB10/TIM2_CH3/HRTIM_SCOUT/LPTIM2_IN1/I2C2_SCL/SPI2_SCK/I2S2_CK/DFSDM_D7/U5_TX/QSPI_BK1_NCS/OTG_HS_ULPI_D3/ETH_MII_RX_ER/LCD_G4
PB11	I69		PB11/TIM2_CH4/HRTIM_SCIN/LPTIM2_ETR/I2C2_SDA/DFSDM_CKIN7/U3_RX/OTG_HS_ULPI_D4/ETH_MII_RMII_TX_EN/LCD_G5
PB12	I70		PB12/TIM1_BKIN/I2C2_SMB/SAI2_NSS/I2S2_WS/DFSDM_D1/U3_CK/U5_RX/FDCAN2_RX/OTG_HS_ID_ULPI_D5/ETH_MII_RMII_TXD0/TIM1_BKIN_COMP12
PB13	I71		PB13/TIM1_CHIN/SPI2_SCK/I2S2_CK/DFSDM_CKIN1/U3_CTS/U5_TX/FDCAN2_TX/OTG_HS_VBUS_ULPI_D6/ETH_MII_RMII_TXD1
PB14	I72		PB14/TIM1_TIM8_CH2N/U1_TX/SPI2_MISO/I2S2_SDI/DFSDM_D2/U3_U4_RTS/SDMMC2_D0/TIM12_CH1/OTG_HS_DM
PB15	RTC	I73	PB15/RTC_REFIN/TIM1_TIM8_CH3N/U1_RX/SPI2_MOSI/I2S2_SDI/DFSDM_CKIN2/U4_CTS/SDMMC2_D1/TIM12_CH2/OTG_HS_DP
PC0	DFSDM	I74	PC0/DFSDM_CKIN0_D4/SAI2_FS_B/OTG_HS_ULPI_STP/FMC_SDNWE/LCD_R5/ADC123_INP10
PC1	SAI1	I75	PC1/SAI1_SAI4_D1/DFSDM_D0_CKIN4/SPI2_MOSI/I2S2_SDI/SAI1_SAI4_SD_A/SDMMC2_CK/ETH_MDC/MDIOS_MDC/ADC123_INN10_INP11/RTC_TAMP3/WKUP5
PC2	DFSDM	I76	PC2/DFSDM_CKIN1_CKOUT/SPI2_MISO/I2S2_SDI/OTG_HS_ULPI_DIR/ETH_MII_TXD2/FMC_SDNWE/ADC123_INN11_INP12
PC3	DFSDM	I77	PC3/DFSDM_D1/SPI2_MOSI/I2S2_SDI/OTG_HS_ULPI_NXT/ETH_MII_TX_CLK/FMC_SDNWE/ADC123_INN12_INP13
PC4	SAI2	I78	PC4/DFSDM_CKIN2/I2S1_MCK/SPDIFRX_IN2/ETH_MII_RMII_RXD0/FMC_SDNWE/ADC12_INP14/OPAMP1_VOUT/COMP_1_VINM
PC5	SAI1	I79	PC5/SAI1_SAI4_D3/DFSDM_D2/SPDIFRX_IN3/ETH_MII_RMII_RXD1/FMC_SDNWE/COMP_1_OUT/ADC12_INN14_INP8/OPAMP1_VINM
PC6	HRTIM	I80	PC6/HRTIM_CHA1/TIM3_TIM8_CH1/DFSDM_CKIN6_CKIN7/SPI2_MISO/I2S2_MCK/U6_TX/SDMMC1_D0/DIR/FMC_NWAIT/SDMMC12_D6/DCML_D0/LCD_HSYNCPWMPIO
PC7	HRTIM	I81	PC7/HRTIM_CHA2/TIM3_TIM8_CH2/DFSDM_D3/I2S3_MCK/U6_RX/SDMMC1_D1/23DIR/FMC_NL/SDMMC12_D7/SWPMI_TX/DCML_D1/LCD_G6
PC8	HRTIM	I82	PC8/HRTIM_CHB1/TIM3_TIM8_CH3/U5_RTS/U6_CK/FMC_NE2_NCE/SWPMI_RX/SDMMC1_D0/DCML_D2
PC9	MCO2	I83	PC9/MCO2/TIM1_TIM8_CH4/I2C3_SDA/I2S2_CKIN/U5_CTS/QSPI_BK1_I00/LCD_G3_B2/SWPMI_SUSPEND/SDMMC1_D1/DCML_D3
PC10	HRTIM	I84	PC10/HRTIM_EEV1/DFSDM_CKIN5/SPI3_SCK/I2S3_CK/U3_U4_TX/QSPI_BK1_I01/SDMMC1_D2/DCML_D8/LCD_R2
PC11	HRTIM	I85	PC11/HRTIM_FLT2/DFSDM_D5/SPI3_MISO/I2S3_SDI/U3_U4_RX/QSPI_BK2_NCS/SDMMC1_D3/DCML_D4
PC12	HRTIM	I86	PC12/HRTIM_EEV2/SPI3_MOSI/I2S3_SDI/U3_CK/U5_TX/SDMMC1_CK/DCML_D5
PC13	RTC	I87	PC13/RTC_TAMP_1/RTC_TS_WKUP2
PC14	OSC32	I88	PC14/OSC32_IN
PC15	OSC32	I89	PC15/OSC32_OUT
PDO	DFSDM	I90	PDO/DFSDM_CKIN6/SAI3_SCK_A/U4_RX/FDCAN1_RX/FMC_D2_DA2
PD1	DFSDM	I91	PD1/DFSDM_D6/SAI3_SD_A/U4_TX/FDCAN1_TX/FMC_D3_DA3
PD2	TIM3	I92	PD2/TIM3_ETR/U5_RX/SDMMC1_CMD/DCML_D1
PD3	DFSDM	I93	PD3/DFSDM_CKOUT/SPI2_SCK/I2S2_CK/U2_CTS_NSS/FMC_CLK/DCML_D5/LCD_G7
PD4	HRTIM	I94	PD4/HRTIM_FLT3/SAI3_FS_A/U2_RTS/FDCAN1_RXFD_MODE/FMC_NWE
PD5	HRTIM	I95	PD5/HRTIM_EEV3/U2_TX/FDCAN1_TXFD_MODE/FMC_NWE
PD6	SAI1	I96	PD6/SAI1_SAI4_D1/DFSDM_CKIN4_D1/SPI3_MOSI/I2S3_SDI/SAI1_SAI4_SD_A/U2_RX/FDCAN2_RXFD_MODE/SDMMC2_CK/FMC_NWAIT/DCML_D10/LCD_B2
PD7	DFSDM	I97	PD7/DFSDM_CKIN1_D4/SPI1_MOSI/I2S1_SDI/U2_CK/SDMMC2_CMD/SPDIFRX_IN0/FMC_NE1
PD8	DFSDM	I98	PD8/DFSDM_CKIN3/SAI3_SCK_B/U3_TX/SPDIFRX_IN1/FMC_D13_DA13
PD9	DFSDM	I99	PD9/DFSDM_D3/SAI3_SD_B/U3_RX/FDCAN2_RXFD_MODE/FMC_D14_DA14
PD10	DFSDM	I100	PD10/DFSDM_CKOUT/SAI3_FS_B/U3_CK/FDCAN2_TXFD_MODE/FMC_D15_DA15/LCD_B3
PD11	LPTIM2	I101	PD11/LPTIM2_IN2/I2C4_SMB/SAI3_CTS/QSPI_BK1_I00/SAI2_SD_A/FMC_A16
PD12	LPT1	I102	PD12/LPT1_LPT2_IN1/TIM4_CH1/I2C4_SCL/U3_RTS/QSPI_BK1_I01/SAI2_FS_A/FMC_A17
PD13	LPT1	I103	PD13/LPT1_OUT/TIM4_CH2/I2C4_SDA/QSPI_BK1_I03/SAI2_SCK_A/FMC_A18
PD14	TIM4	I104	PD14/TIM4_CH3/SAI3_MCLK_B/U8_CTS/FMC_D0_DA0
PD15	TIM4	I105	PD15/TIM4_CH4/SAI3_MCLK_A/U8_RTS/FMC_D1_DA1
PE0	TIM4	I106	PE0/TIM4_LPT1_LPT2_ETR/HRTIM_SCIN/U8_RX/FDCAN1_RXFD_MODE/SAI2_MCK_A/FMC_NBL0/DCML_D2
PE1	LPT1	I107	PE1/LPT1_IN2/HRTIM_SCOUT/U8_TX/FDCAN1_TXFD_MODE/SAI1_DCM1/DCML_D3
PE2	SAI1	I108	PE2/SAI1_SAI4_CK1/SPI4_SCK/SAI1_SAI4_MCLK_A/QSPI_BK1_I02/ETH_MII_TXD3/FMC_A23
PE3	TIM15	I109	PE3/TIM15_BKIN/SAI1_SAI4_SD_B/FMC_A19
PE4	SAI1	I110	PE4/SAI1_SAI4_D2/DFSDM_D3/TIM15_CHIN/SPI4_NSS/SAI1_SAI4_FS_A/FMC_A20/DCML_D4/LCD_B0
PE5	SAI1	I111	PE5/SAI1_SAI4_CK2/DFSDM_CKIN3/TIM15_CH1/SPI4_MISO/SAI1_SAI4_SCK_A/FMC_A21/DCML_D6/LCD_G0
PE6	TIM1	I112	PE6/TIM1_BKIN2/SAI1_SAI4_D1/TIM15_CH2/SPI4_MOSI/SAI1_SAI4_SD_A/SAI2_MCK_B/TIM1_BKIN2_COMP12/FMC_A22/DCML_D7/LCD_G1
PE7	TIM1	I113	PE7/TIM1_ETR/DFSDM_D12/U7_RX/QSPI_BK2_I00/FMC_D4_DA4/OPAMP_VOUT/COMP_2_INM
PE8	DFSDM	I114	PE8/DFSDM_CKIN2/TIM1_CHIN/U7_TX/QSPI_BK2_I01/FMC_D5_DA5/COMP_2_OUT/OPAMP_VINM
PE9	DFSDM	I115	PE9/DFSDM_CKOUT/TIM1_CHI/U7_RTS/QSPI_BK2_I02/FMC_D6_DA6/OPAMP_VINP/COMP_2_INP
PE10	DFSDM	I116	PE10/DFSDM_D4/TIM1_CH2N/U7_CTS/QSPI_BK2_I03/FMC_D7_DA7/COMP_2_INM
PE11	DFSDM	I117	PE11/DFSDM_CKIN4/TIM1_CH2/SPI4_NSS/SAI2_SD_B/FMC_D8_DA8/LCD_G3/COMP_2_INP
PE12	DFSDM	I118	PE12/DFSDM_DATIN5/TIM1_CH3N/SPI4_SCK/SAI2_SCK_B/FMC_D9_DA9/COMP_1_OUT/LCD_B4
PE13	DFSDM	I119	PE13/DFSDM_CKIN5/TIM1_CH3/SPI4_MISO/SAI2_FS_B/FMC_D10/FMC_DA10/COMP_2_OUT/LCD_DE
PE14	TIM1	I120	PE14/TIM1_CH4/SPI4_MOSI/SAI2_MCK_B/FMC_D11_DA11/LCD_CLK
PE15	TIM1	I121	PE15/TIM1_BKIN/HDMI1_TIM1_BKIN/FMC_D12_DA12/TIM1_BKIN_COMP12/LCD_R7
VDD	VDD	I122	VDD1/FDCAN1_RXFD_MODE/ETH_MII_RX_ER/FMC_D31/LCD_HSYNCP
VDD	VDD	I123	VDD2/FDCAN1_RXFD_MODE/ETH_MII_RX_ER/FMC_D31/LCD_HSYNCP
VDD	VDD	I124	VDD3/FDCAN1_RXFD_MODE/ETH_MII_RX_ER/FMC_D31/LCD_HSYNCP
VDD	VDD	I125	VDD4/FDCAN1_RXFD_MODE/ETH_MII_RX_ER/FMC_D31/LCD_HSYNCP
VDD	VDD	I126	VDD5/FDCAN1_RXFD_MODE/ETH_MII_RX_ER/FMC_D31/LCD_HSYNCP
VDD	VDD	I127	VDD6/FDCAN1_RXFD_MODE/ETH_MII_RX_ER/FMC_D31/LCD_HSYNCP
VDD	VDD	I128	VDD7/FDCAN1_RXFD_MODE/ETH_MII_RX_ER/FMC_D31/LCD_HSYNCP
VDD	VDD	I129	VDD8/FDCAN1_RXFD_MODE/ETH_MII_RX_ER/FMC_D31/LCD_HSYNCP
VDD	VDD	I130	VDD9/FDCAN1_RXFD_MODE/ETH_MII_RX_ER/FMC_D31/LCD_HSYNCP
VDD	VDD	I131	VDD10/FDCAN1_RXFD_MODE/ETH_MII_RX_ER/FMC_D31/LCD_HSYNCP
VDD	VDD	I132	VDD11/FDCAN1_RXFD_MODE/ETH_MII_RX_ER/FMC_D31/LCD_HSYNCP
VDD	VDD	I133	VDD12/FDCAN1_RXFD_MODE/ETH_MII_RX_ER/FMC_D31/LCD_HSYNCP
VDD	VDD	I134	VDD13/FDCAN1_RXFD_MODE/ETH_MII_RX_ER/FMC_D31/LCD_HSYNCP
VDD	VDD	I135	VDD14/FDCAN1_RXFD_MODE/ETH_MII_RX_ER/FMC_D31/LCD_HSYNCP
VDD	VDD	I136	VDD15/FDCAN1_RXFD_MODE/ETH_MII_RX_ER/FMC_D31/LCD_HSYNCP
VDD	VDD	I137	VDD16/FDCAN1_RXFD_MODE/ETH_MII_RX_ER/FMC_D31/LCD_HSYNCP
VDD	VDD	I138	VDD17/FDCAN1_RXFD_MODE/ETH_MII_RX_ER/FMC_D31/LCD_HSYNCP
VDD	VDD	I139	VDD18/FDCAN1_RXFD_MODE/ETH_MII_RX_ER/FMC_D31/LCD_HSYNCP
VDD	VDD	I140	VDD19/FDCAN1_RXFD_MODE/ETH_MII_RX_ER/FMC_D31/LCD_HSYNCP
VDD	VDD	I141	VDD20/FDCAN1_RXFD_MODE/ETH_MII_RX_ER/FMC_D31/LCD_HSYNCP
VDD	VDD	I142	VDD21/FDCAN1_RXFD_MODE/ETH_MII_RX_ER/FMC_D31/LCD_HSYNCP
VDD	VDD	I143	VDD22/FDCAN1_RXFD_MODE/ETH_MII_RX_ER/FMC_D31/LCD_HSYNCP
VDD	VDD	I144	VDD23/FDCAN1_RXFD_MODE/ETH_MII_RX_ER/FMC_D31/LCD_HSYNCP
VDD	VDD	I145	VDD24/FDCAN1_RXFD_MODE/ETH_MII_RX_ER/FMC_D31/LCD_HSYNCP
VDD	VDD	I146	VDD25/FDCAN1_RXFD_MODE/ETH_MII_RX_ER/FMC_D31/LCD_HSYNCP
VDD	VDD	I147	VDD26/FDCAN1_RXFD_MODE/ETH_MII_RX_ER/FMC_D31/LCD_HSYNCP
VDD	VDD	I148	VDD27/FDCAN1_RXFD_MODE/ETH_MII_RX_ER/FMC_D31/LCD_HSYNCP
VDD	VDD	I149	VDD28/FDCAN1_RXFD_MODE/ETH_MII_RX_ER/FMC_D31/LCD_HSYNCP
VDD	VDD	I150	VDD29/FDCAN1_RXFD_MODE/ETH_MII_RX_ER/FMC_D31/LCD_HSYNCP
VDD	VDD	I151	VDD30/FDCAN1_RXFD_MODE/ETH_MII_RX_ER/FMC_D31/LCD_HSYNCP
VDD	VDD	I152	VDD31/FDCAN1_RXFD_MODE/ETH_MII_RX_ER/FMC_D31/LCD_HSYNCP
VDD	VDD	I153	VDD32/FDCAN1_RXFD_MODE/ETH_MII_RX_ER/FMC_D31/LCD_HSYNCP
VDD	VDD	I154	VDD33/FDCAN1_RXFD_MODE/ETH_MII_RX_ER/FMC_D31/LCD_HSYNCP
VDD	VDD	I155	VDD34/FDCAN1_RXFD_MODE/ETH_MII_RX_ER/FMC_D31/LCD_HSYNCP
VDD	VDD	I156	VDD35/FDCAN1_RXFD_MODE/ETH_MII_RX_ER/FMC_D31/LCD_HSYNCP
VDD	VDD	I157	VDD36/FDCAN1_RXFD_MODE/ETH_MII_RX_ER/FMC_D31/LCD_HSYNCP
VDD	VDD	I158	VDD37/FDCAN1_RXFD_MODE/ETH_MII_RX_ER/FMC_D31/LCD_HSYNCP
VDD	VDD	I159	VDD38/FDCAN1_RXFD_MODE/ETH_MII_RX_ER/FMC_D31/LCD_HSYNCP
VDD	VDD	I160	VDD39/FDCAN1_RXFD_MODE/ETH_MII_RX_ER/FMC_D31/LCD_HSYNCP
VDD	VDD	I161	VDD40/FDCAN1_RXFD_MODE/ETH_MII_RX_ER/FMC_D31/LCD_HSYNCP
VDD	VDD	I162	VDD41/FDCAN1_RXFD_MODE/ETH_MII_RX_ER/FMC_D31/LCD_HSYNCP
VDD	VDD	I163	VDD42/FDCAN1_RXFD_MODE/ETH_MII_RX_ER/FMC_D31/LCD_HSYNCP
VDD	VDD	I164	VDD43/FDCAN1_RXFD_MODE/ETH_MII_RX_ER/FMC_D31/LCD_HSYNCP
VDD	VDD	I165	VDD44/FDCAN1_RXFD_MODE/ETH_MII_RX_ER/FMC_D31/LCD_HSYNCP
VDD	VDD	I166	VDD45/FDCAN1_RXFD_MODE/ETH_MII_RX_ER/FMC_D31/LCD_HSYNCP
VDD	VDD	I167	VDD46/FDCAN1_RXFD_MODE/ETH_MII_RX_ER/FMC_D31/LCD_HSYNCP
VDD	VDD	I168	VDD47/FDCAN1_RXFD_MODE/ETH_MII_RX_ER/FMC_D31/LCD_HSYNCP
VDD	VDD	I169	VDD48/FDCAN1_RXFD_MODE/ETH_MII_RX_ER/FMC_D31/LCD_HSYNCP
VDD	VDD	I170	VDD49/FDCAN1_RXFD_MODE/ETH_MII_RX_ER/FMC_D31/LCD_HSYNCP
VDD	VDD	I171	VDD50/FDCAN1_RXFD_MODE/ETH_MII_RX_ER/FMC_D31/LCD_HSYNCP
VDD	VDD	I172	VDD51/FDCAN1_RXFD_MODE/ETH_MII_RX_ER/FMC_D31/LCD_HSYNCP
VDD	VDD	I173	VDD52/FDCAN1_RXFD_MODE/ETH_MII_RX_ER/FMC_D31/LCD_HSYNCP
VDD	VDD	I174	VDD53/FDCAN1_RXFD_MODE/ETH_MII_RX_ER/FMC_D31/LCD_HSYNCP
VDD	VDD	I175	VDD54/FDCAN1_RXFD_MODE/ETH_MII_RX_ER/FMC_D31/LCD_HSYNCP
VDD	VDD	I176	VDD55/FDCAN1_RXFD_MODE/ETH_MII_RX_ER/FMC_D31/LCD_HSYNCP
VDD	VDD	I177	VDD56/FDCAN1_RXFD_MODE/ETH_MII_RX_ER/FMC_D31/LCD_HSYNCP
VDD	VDD	I178	VDD57/FDCAN1_RXFD_MODE/ETH_MII_RX_ER/FMC_D31/LCD_HSYNCP
VDD	VDD	I179	VDD58/FDCAN1_RXFD_MODE/ETH_MII_RX_ER/FMC_D31/LCD_HSYNCP
VDD	VDD	I180	VDD59/FDCAN1_RXFD_MODE/ETH_MII_RX_ER/FMC_D31/LCD_HSYNCP
VDD	VDD	I181	VDD60/FDCAN1_RXFD_MODE/ETH_MII_RX_ER/FMC_D31/LCD_HSYNCP
VDD	VDD	I182	VDD61/FDCAN1_RXFD_MODE/ETH_MII_RX_ER/FMC_D31/LCD_HSYNCP
VDD	VDD	I183	VDD62/FDCAN1_RXFD_MODE/ETH_MII_RX_ER/FMC_D31/LCD_HSYNCP
VDD	VDD	I184	VDD63/FDCAN1_RXFD_MODE/ETH_MII_RX_ER/FMC_D31/LCD_HSYNCP
VDD	VDD	I185	VDD64/FDCAN1_RXFD_MODE/ETH_MII_RX_ER/FMC_D31/LCD_HSYNCP
VDD	VDD	I186	VDD65/FDCAN1_RXFD_MODE/ETH_MII_RX_ER/FMC_D31/LCD_HSYNCP
VDD	VDD	I187	VDD66/FDCAN1_RXFD_MODE/ETH_MII_RX_ER/FMC_D31/LCD_HSYNCP
VDD	VDD	I188	VDD67/FDCAN1_RXFD_MODE/ETH_MII_RX_ER/FMC_D31/LCD_HSYNCP
VDD	VDD	I189	VDD68/FDCAN1_RXFD_MODE/ETH_MII_RX_ER/FMC_D31/LCD_HSYNCP
VDD	VDD	I190	VDD69/FDCAN1_RXFD_MODE/ETH_MII_RX_ER/FMC_D31/LCD_HSYNCP
VDD	VDD	I191	VDD70/FDCAN1_RXFD_MODE/ETH_MII_RX_ER/FMC_D31/LCD_HSYNCP
VDD	VDD	I192	VDD71/FDCAN1_RXFD_MODE/ETH_MII_RX_ER/FMC_D31/LCD_HSYNCP
VDD	VDD	I193	VDD72/FDCAN1_RXFD_MODE/ETH_MII_RX_ER/FMC_D31/LCD_HSYNCP
VDD	VDD	I194	VDD73/FDCAN1_RXFD_MODE/ETH_MII_RX_ER/FMC_D31/LCD_HSYNCP
VDD	VDD	I195	VDD74/FDCAN1_RXFD_MODE/ETH_MII_RX_ER/FMC_D31/LCD_HSYNCP
VDD	VDD	I196	VDD75/FDCAN1_RXFD_MODE/ETH_MII_RX_ER/FMC_D31/LCD_HSYNCP
VDD	VDD	I197	VDD76/FDCAN1_RXFD_MODE/ETH_MII_RX_ER/FMC_D31/LCD_HSYNCP
VDD	VDD	I198	VDD77/FDCAN1_RXFD_MODE/ETH_MII_RX_ER/FMC_D31/LCD_HSYNCP
VDD	VDD	I199	VDD78/FDCAN1_RXFD_MODE/ETH_MII_RX_ER/FMC_D31/LCD_HSYNCP
VDD	VDD	I200	VDD79/FDCAN1_RXFD_MODE/ETH_MII_RX_ER/FMC_D31/LCD_HSYNCP
VDD	VDD	I201	VDD80/FDCAN1_RXFD_MODE/ETH_MII_RX_ER/FMC_D31/LCD_HSYNCP
VDD	VDD	I202	VDD81/FDCAN1_RXFD_MODE/ETH_MII_RX_ER/FMC_D31/LCD_HSYNCP
VDD	VDD	I203	VDD82/FDCAN1_RXFD_MODE/ETH_MII_RX_ER/FMC_D31/LCD_HSYNCP
VDD	VDD	I204	VDD83/FDCAN1_RXFD_MODE/ETH_MII_RX_ER/FMC_D31/LCD_HSYNCP
VDD	VDD	I205	VDD84/FDCAN1_RXFD_MODE/ETH_MII_RX_ER/FMC_D31/LCD_HSYNCP
VDD	VDD	I206	VDD85/FDCAN1_RXFD_MODE/ETH_MII_RX_ER/FMC_D31/LCD_HSYNCP
VDD	VDD	I207	VDD86/FDCAN1_RXFD_MODE/ETH_MII_RX_ER/FMC_D31/LCD_HSYNCP
VDD	VDD	I208	VDD87/FDCAN1_RXFD_MODE/ETH_MII_RX_ER/FMC_D31/LCD_HSYNCP
VDD	VDD	I209	VDD88/FDCAN1_RXFD_MODE/ETH_MII_RX_ER/FMC_D31/LCD_HSYNCP
VDD	VDD	I210	VDD89/FDCAN1_RXFD_MODE/ETH_MII_RX_ER/FMC_D31/LCD_HSYNCP
VDD	VDD	I211	VDD90/FDCAN1_RXFD_MODE/ETH_MII_RX_ER/FMC_D31/LCD_HSYNCP
VDD	VDD	I212	VDD91/FDCAN1_RXFD_MODE/ETH_MII_RX_ER/FMC_D31/LCD_HSYNCP
VDD	VDD	I213	VDD92/FDCAN1_RXFD_MODE/ETH_MII_RX_ER/FMC_D31/LCD_HSYNCP
VDD	VDD	I214	VDD93/FDCAN1_RXFD_MODE/ETH_MII_RX_ER/FMC_D31/LCD_HSYNCP
VDD	VDD	I215	VDD94/FDCAN1_RXFD_MODE/ETH_MII_RX_ER/FMC_D31/LCD_HSYNCP
VDD	VDD	I216	VDD95/FDCAN1_RXFD_MODE/ETH_MII_RX_ER/FMC_D31/LCD_HSYNCP
VDD	VDD	I217	VDD96/FDCAN1_RXFD_MODE/ETH_MII_RX_ER/FMC_D31/LCD_HSYNCP
VDD	VDD	I218	VDD97/FDCAN1_RXFD_MODE/ETH_MII_RX_ER/FMC_D31/LCD_HSYNCP
VDD	VDD	I219	VDD98/FDCAN1_RXFD_MODE/ETH_MII_RX_ER/FMC_D31/LCD_HSYNCP
VDD	VDD	I220	VDD99/FDCAN1_RXFD_MODE/ETH_MII_RX_ER/FMC_D31/LCD_HSYNCP
VDD	VDD	I221	VDD100/FDCAN1_RXFD_MODE/ETH_MII_RX_ER/FMC_D31/LCD_HSYNCP
VDD	VDD	I222	VDD101/FDCAN1_RXFD_MODE/ETH_MII_RX_ER/FMC_D31/LCD_HSYNCP
VDD	VDD	I223	VDD102/FDCAN1_RXFD_MODE/ETH_MII_RX_ER/FMC_D31/LCD_HSYNCP
VDD	VDD	I224	VDD103/FDCAN1_RXFD_MODE/ETH_MII_RX_ER/FMC_D31/LCD_HSYNCP
VDD	VDD	I225	VDD104/FDCAN1_RXFD_MODE/ETH_MII_RX_ER/FMC_D31/LCD_HSYNCP
VDD	VDD	I226	VDD105/FDCAN1_RXFD_MODE/ETH_MII_RX_ER/FMC_D31/LCD_HSYNCP
VDD	VDD	I227	VDD106/FDCAN1_RXFD_MODE/ETH_MII_RX



Devices		
Size	Number	Revision
A3	www.01Studio.cc	v1.0
Date:	2021-10-08	Sheet of
File:	D:\微云同步\Power_Devices\SchDoc	Drawn By:

